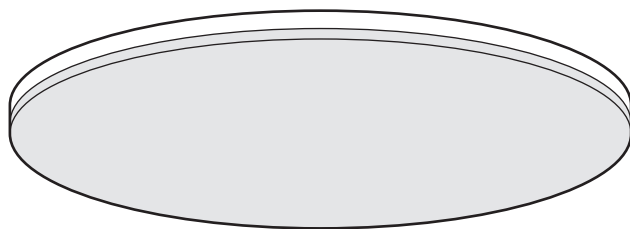


.GIRO CEILING USER MANUAL

Remote power supply

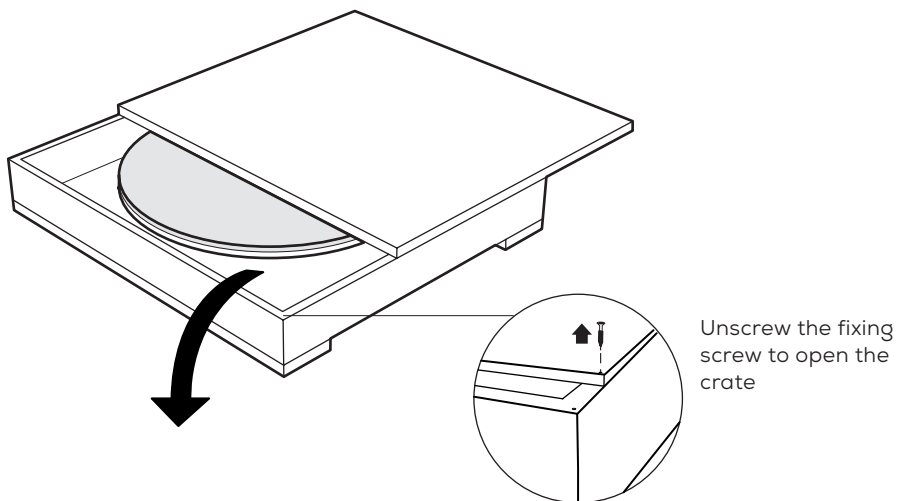


05	Components
06	Installation of fixing system
07	Electrical connection
08	FOLID® GIRO installation
12	Power supplies
13	WARNING
14	Handling
15	Cleaning
16	Damaged appliances
17	Dismantlement

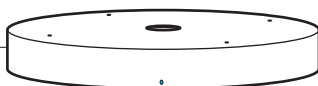
.COMPONENTS

All'interno della cassa di imballaggio troverete:

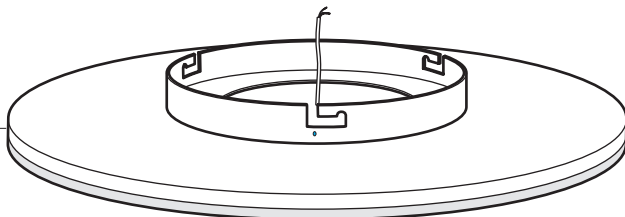
- FOLIO® LIGHTING PANEL(S) **GIRO**
- FIXING SYSTEM



FIXING SYSTEM

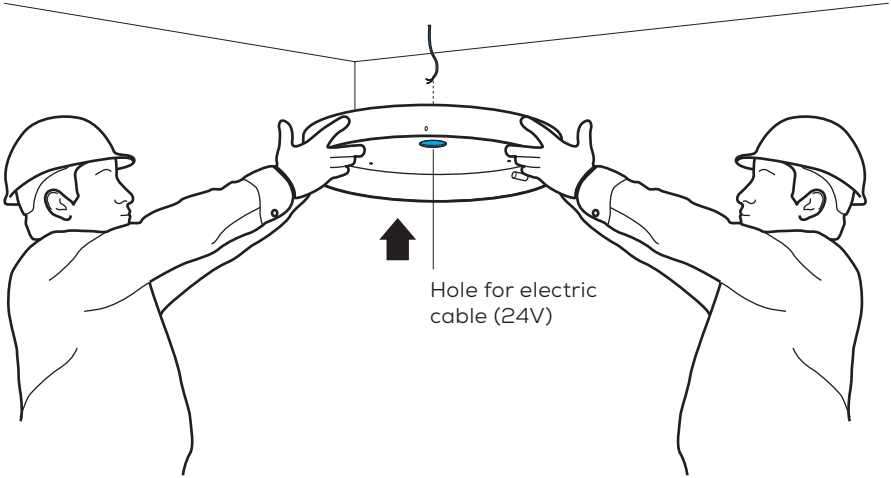


GIRO

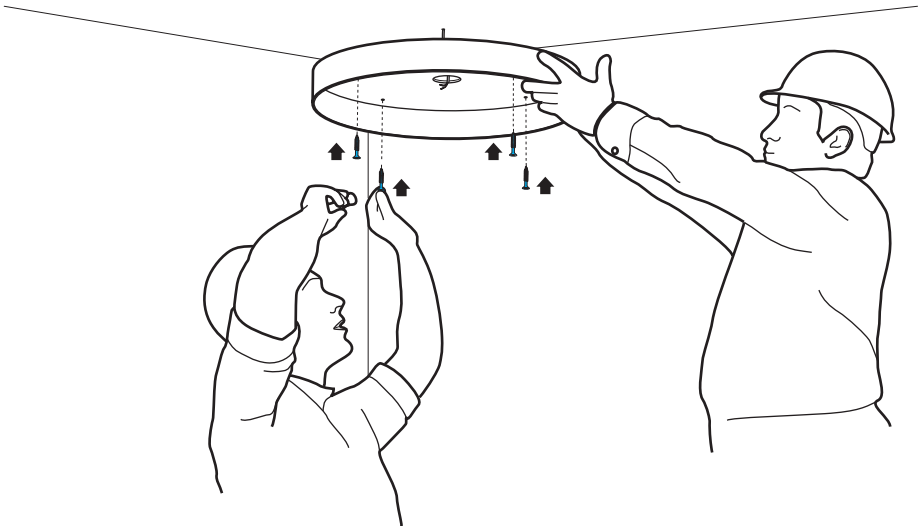


.INSTALLATION OF FIXING SYSTEM

- 1 Positioning the ceiling FIXING SYSTEM by passing the 24V cable (by you previously installed) through the central hole.

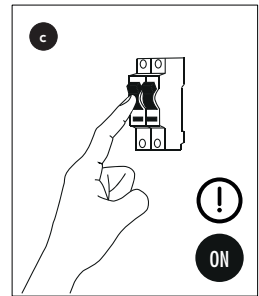
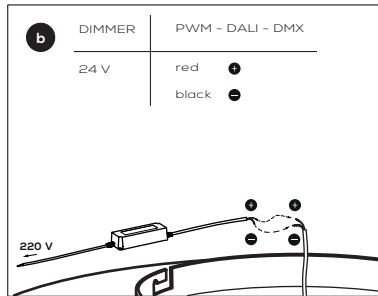
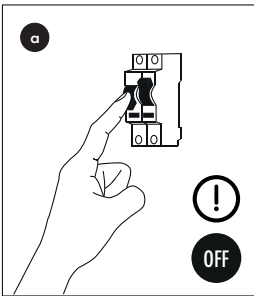
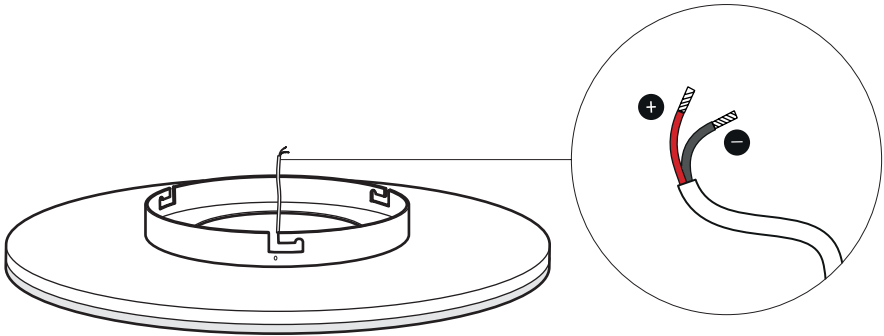


- 2 Install the FIXING SYSTEM to the ceiling by using appropriate screws.



.ELECTRICAL CONNECTION

- 3** Connect the power supply cable to the **GIRO**'s cable in a suitable and consonant manner.



Make sure to disconnect the power supply, connect the cable of the LED panel to the driver as shown in step b. Connecting the red cable **+** of the panel with the red cable **+** of the driver and the black cable **+** of the panel to the black cable **-** of the driver. Subsequently connect the driver to the electrical system with the 220 V cable and power the system.



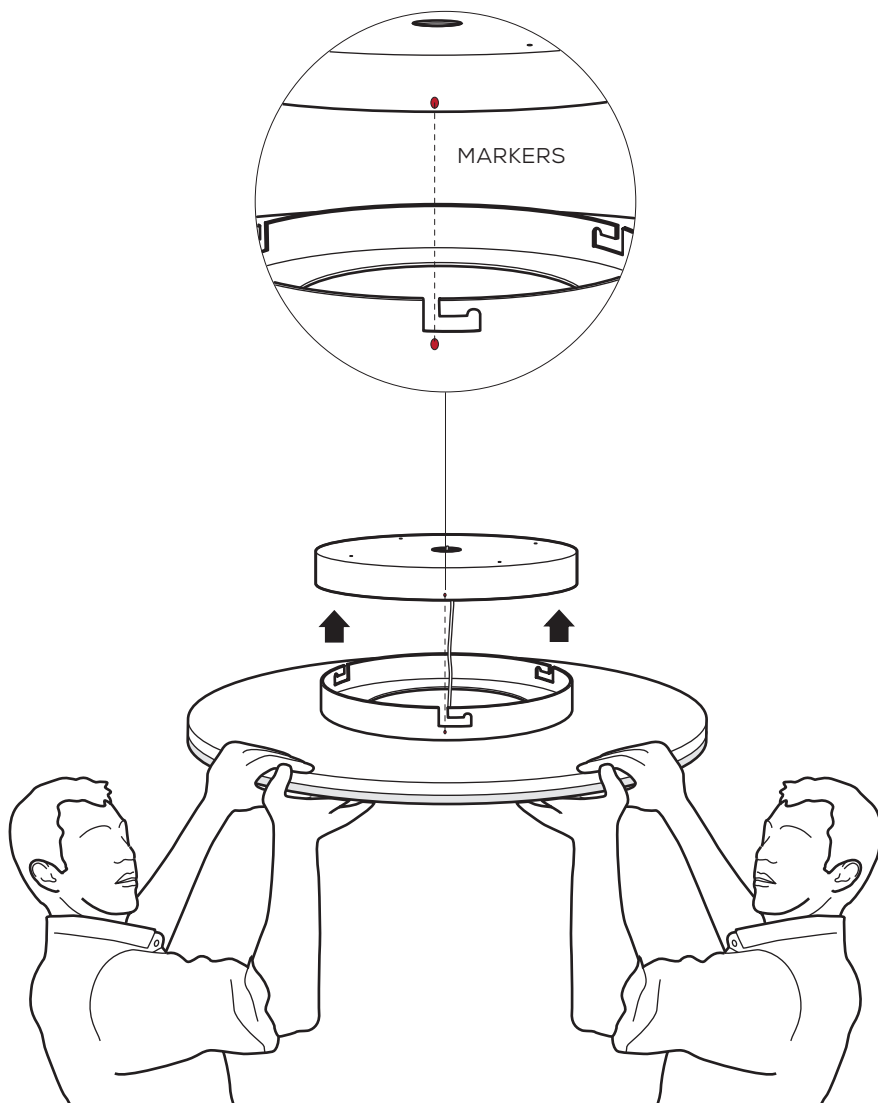
Use class II transformers with adequate absorption with regards to the consumption of the FOLIO® panel, with an exit current of 24V and with SELV exits **EN 61347-2-13** compliant. It is recommended to connect maximum 4/5 Folio panels to one driver.

DIMMING

Dimmable:
PWM - DALI - DMX

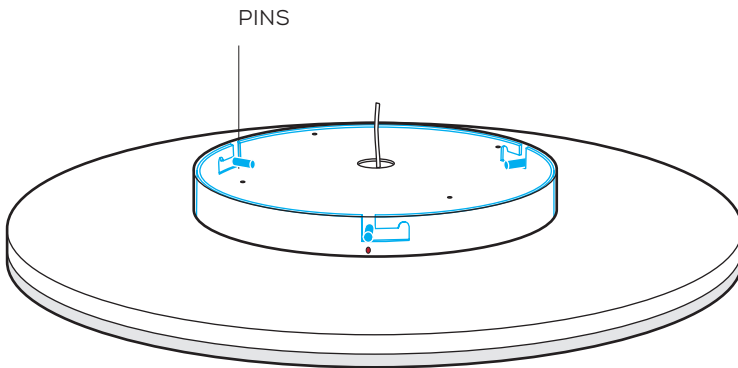
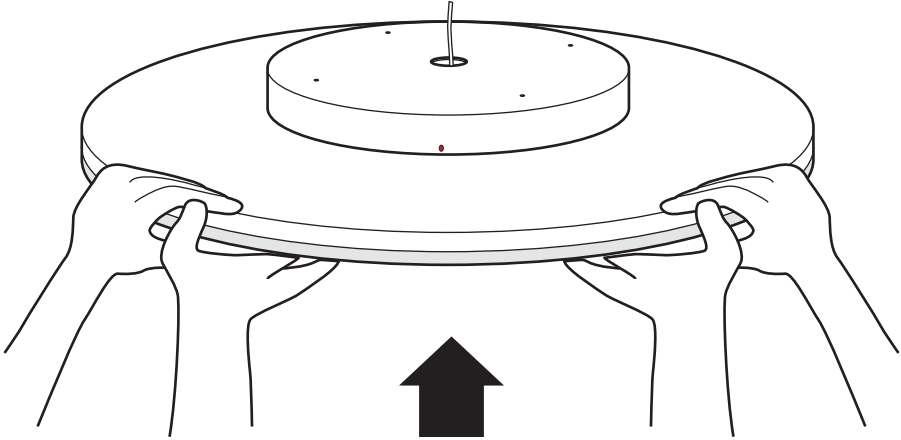
.FOLIO® GIRO INSTALLATION

- 4** After the cables connection, align the **GIRO's** MARKER with the one on the FIXING SYSTEM.



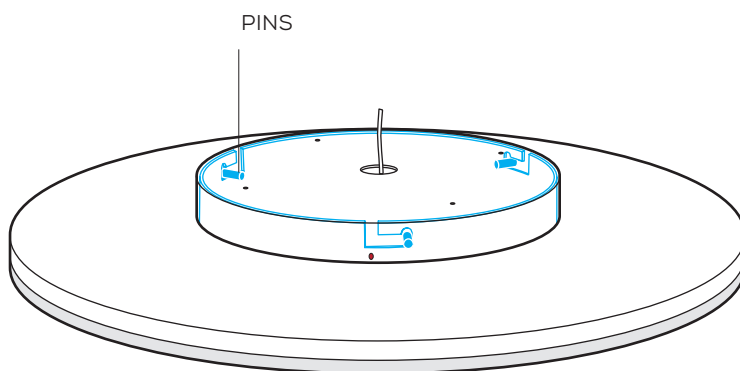
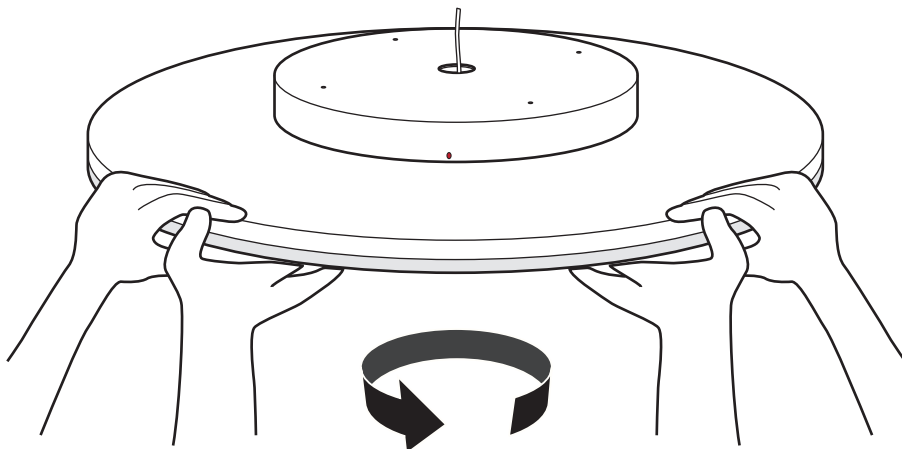
.FOLIO® GIRO INSTALLATION

- 5** Once you have aligned the **MARKERS**, push up the **GIRO CEILING** until the end of the stroke (the pins will enter their respective seats).



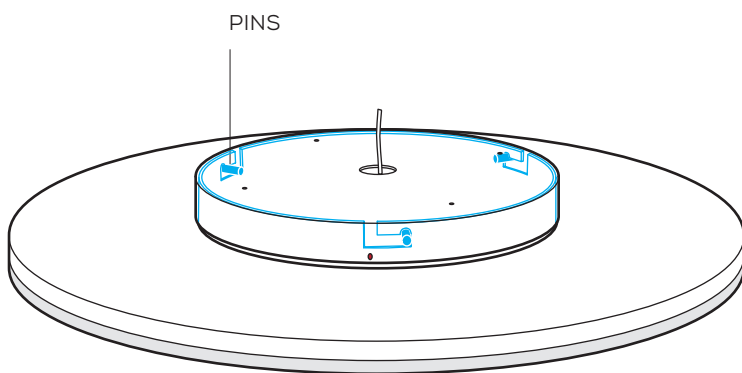
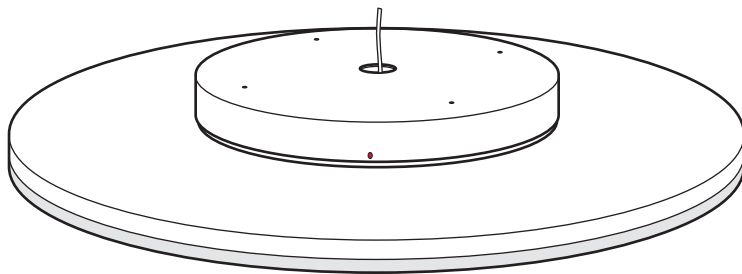
.FOLIO® GIRO INSTALLATION

- 6** Rotate the **GIRO CEILING** so that **FIXING SYSTEM**'s pins are fastened in the respective seats.



.FOLIO® GIRO INSTALLATION

- 7 Once you have rotate the **GIRO CEILING** until the end of the stroke, leave the panel, so that the pins are locked in the space provided.



.POWER SUPPLIES

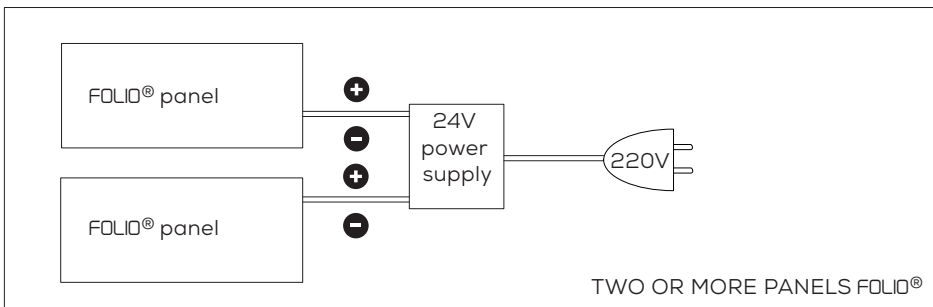
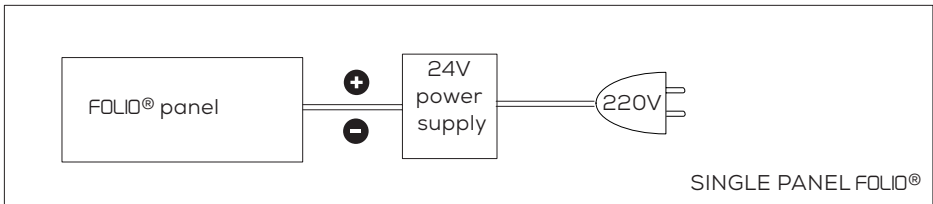
Use 24V power supplies

Use power supplies with the correct Wattage with regards to what indicated on the label positioned on the back of each FOLIO® LED panel.

Pay particular attention to the data on the label before connection the appliance to the mains.

IN CASE OF MALFUNCTION, DISCONNECT THE APPLIANCE.

Use class II drivers with adequate absorption with regards to the consumption of the FOLIO® panel, with an exit current of 24V and with SELV exits EN 61347-2-13 compliant. It is recommended to connect maximum 4/5 FOLIO® panels to one driver.

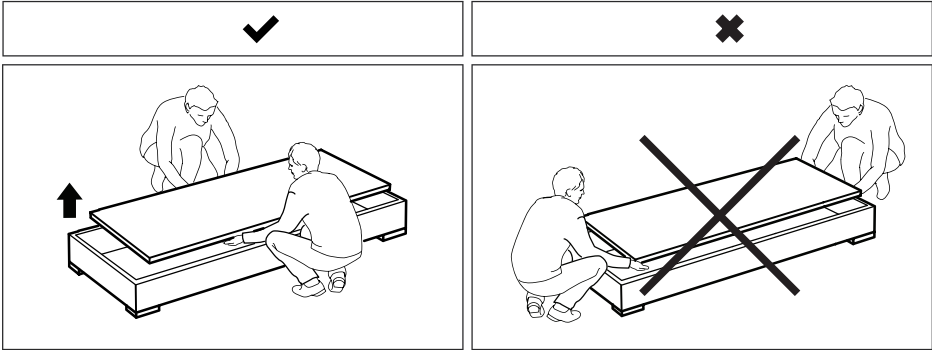


.WARNING

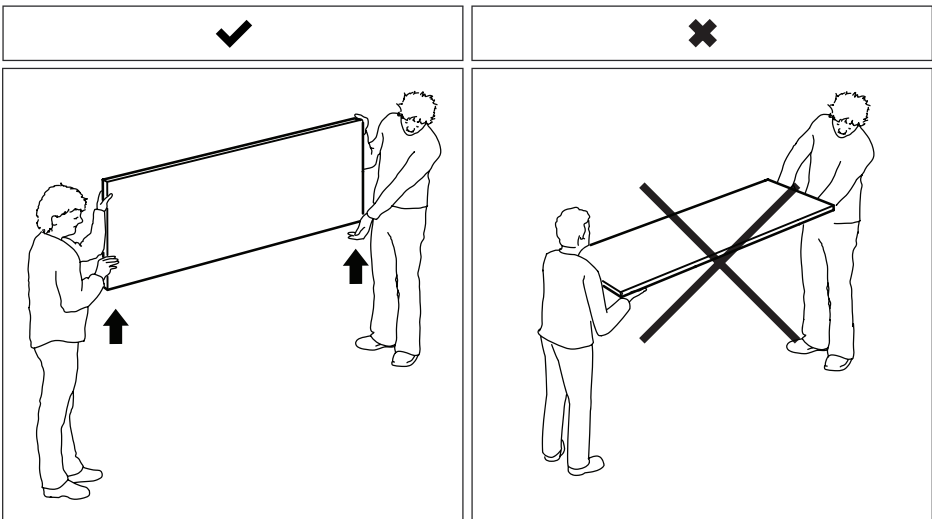
Consultare l'azienda **Cifralluminio s.r.l.** prima di intervenire in qualsiasi maniera sui pannelli FOLIO®. Per qualsiasi dubbio sul funzionamento dell'apparecchio o sulla manutenzione consultare l'azienda **Cifralluminio s.r.l.**

- Non manipolare e non aprire il pannello FOLIO®.
- Non flettere/imbarcare il pannello.
- Non svitare/manomettere nessuna vite presente nel pannello.
- Non spruzzare/rovesciare direttamente sul pannello nessun tipo di liquido/detergente.
- Conservare in luogo asciutto.
- Conservare a temperatura non superiore a 25°C.
- Conservare lontano da fonti di calore.
- Non esporre ai diretti raggi solari.
- Tenere lontano da sostanze combustibili.
- Evitare il contatto con vapori, fumi, polveri, gas e liquidi.
- Evitare l'accumulo di cariche elettrostatiche.
- Evitare movimento d'urto e di attrito.
- Per la pulizia utilizzare note/indicazioni/prodotti come da manuale.
- Prima di provvedere alla pulizia, l'apparecchio illuminante va spento.
- Il pannello FOLIO® deve essere installato in luogo accessibile per manutenzione.
- Non collegare direttamente alla corrente il pannello FOLIO®. Il pannello FOLIO® deve essere sempre collegato ad un trasformatore; sarà il trasformatore ad essere collegato successivamente alla corrente.
- Non urtare, tirare o danneggiare i cavi elettrici del pannello della corrente.

.HANDLING



Remove the FOLIO® folio panel from the wooden case, not from the edges but from the middle, prevent bending and curving and carry it vertically.



Carry the FOLIO® panel vertically to prevent every possibility of bending and curving. Pay attention not to pull the power cables.



Do not use suction cups for the handing or installation of the FOLIO® panel.



In addition to the images pay attention to:

- avoid hitting, pulling or damaging the electrical cables
- avoid contact of the FOLIO® panel with liquid.

CLEANING

General indications for proper care of FOLIO® products:

- To enable an efficient performance of FOLIO® panel we recommended regular cleaning.
- The parts influencing the performance of the light (such as white acrylic sheets, marbles or glass) should be cleaned following the instructions below.
- The cleaning of EXTERNAL parts and SURFACES which are part of the FOLIO® panel can be executed in according to the following table:

COMPONENTS	TOOLS	CLEANING SPECIFICATIONS
Aluminium or iron parts	Damp, soft, non-abrasive cloth and dry, soft non-abrasive cloth	Dampen a soft cloth using warm water with little chlorine-free liquid soap and clean the product a second time using a clean dry soft cloth
Transparent plastic spotlight	Dry, soft non-abrasive cloth	Avoid possible static before cleaning. While cleaning apply light pressure to the parts. NOTICE : do not use any type of cleaning agents, neither liquid nor solid
Glass, marble, onyx spotlight	Slightly damp, soft, non-abrasive cloth	Avoid possible static before cleaning. While cleaning apply light pressure to the parts. NOTICE : use cleaning agents suitable for glass, marble or onyx
Opal plastic spotlight	Slightly damp, soft, non-abrasive cloth	Avoid possible static before cleaning. While cleaning apply light pressure to the parts. NOTICE : use only diluted alcohol-free cleaning agents suitable for plastic

NOTICE: DO NOT SPRAY OR POUR DIRECTLY ON THE PANEL ANY TYPE OF CLEANING AGENT BUT DISTRIBUTE THE CLEANING AGENTS (LIQUID OR SOLID) ON A SOFT AND NON-ABRASIVE CLOTH. IT IS POSSIBLE TO CLEAN THE PANEL BY USING JUST A DRY, SOFT AND NON-ABRASIVE CLOTH.

Should any doubt concerning the cleaning of the FOLIO® panel arise, please contact us by email at the following address: info@foliopanel.it

SAFETY NOTICE

- Before cleaning, the lighting fixture must be switched off.
- All the electrical connections must be disconnected.

.DAMAGED APPLIANCES

Do not install or connect these appliances if one or more parts appear damaged. Non-compliance with these instructions may cause injuries or damage the appliances and other goods.

Installation of this appliance must be entrusted exclusively to qualified personnel that is fully aware of all relevant instructions.

Before working on the appliance, disconnect the power supply from the mains.

Before proceeding with visual inspections, trials or maintenance operations on this appliance, disconnect all current and voltage sources.

Proper functioning of this appliance depends on the correct operations of handling, installation and use.

Non-compliance with the fundamental installation requirements can cause injuries to people and damage electrical appliances and other goods.

Verify that the supply voltage is compatible with the voltage and current necessary for the regular functioning of the appliance you are about to install: the primary factor to consider is the data on the FOLD® LED panels' label.

.DISMANTLEMENT

Dismantlement of the appliance must be commissioned to qualified internal or external personnel.

Dismantlement operations must be carried out in accordance with current regulations, considering that some of the materials used are not recyclable and some others may be harmful.

In accordance with Italian LEGISLATIVE DECREE 14 March 2014, no. 49 (in the field of electric and electronic appliances) we inform you that the appliance this instruction manual refers to cannot be disposed of as urban waste but must be destined to waste sorting facilities.

The symbol:



pon the data label indicates the product must be recycled once dismantled.

Non-compliance with the law will be heavily sanctioned with fines.



Via R.Gessi, 10 - 25135 Brescia (BS) - Italy

Phone: +39 030 3363047 - +39 030 3363819

Fax: +39 030 3363048

E-Mail: info@foliopanel.it - cifralluminio@cifralluminio.com

www.foliopanel.it

Cod.Fiscale e P.IVA 03212940179

Cap. Soc. € 61.200,00 i.v.

Registro Imprese di Bs Num. 03212940179

R.E.A. 342944

Num. Iscriz. Registro AEE IT 08020000001025